



ACCC 44TH ANNUAL MEETING & CANCER CENTER BUSINESS SUMMIT

March 14-16, 2018

Renaissance Washington, DC Downtown Hotel

THE CONVERGENCE of BUSINESS, QUALITY, TECHNOLOGY, & POLICY

REGISTER NOW!



Complete company name, address, etc., exactly as it should appear in ACCC publications and website.

EXHIBITOR INFORMATION:

Company Name Website

Address

City State Zip

Company Phone Company Fax

EXTRA: Include your company website address as a free link on ACCC's website exhibitor list for this show.

COMPANY CONTACT INFORMATION:

Name Title

Contact Phone E-mail (required)

Company Authorized Signature Date

LOCATION PREFERENCE: 1st Choice/No. 2nd Choice/No. 3rd Choice/No.

Note: All space assignments will be made by ACCC. Full consideration will be given to the exhibitor's choices. If all other space has already been assigned, ACCC reserves the right to assign space as equitably as possible.

Are there specific organizations you do not wish to adjoin? Yes No

If yes, please list:

No exhibitor shall share, transfer, assign, sell or barter assigned space without the expressed written permission of ACCC. Any relationships between companies wishing to exhibit in the same booth or adjoining booths must be disclosed for approval by ACCC with the submission of the contract or no later than March 3, 2018.

Exhibit space will be used solely by the company listed above. (Initial)

BOOTH COST: Corporate Council Member (Complimentary) includes pipe and drape; includes 2 full conference registrations. *The booth cost does not include table, chairs, electricity, and additional furniture. Furniture is ordered through our decorating company. The exhibit hall is carpeted.

EXHIBIT BOOTH SIZE: 10' x 10'

Note: Exhibit booth space includes two conference registrations and two day passes — no additional cost — registration required.

MAIL/FAX/E-MAIL AGREEMENT:

ACCC, Attn: Mal Milburn, 1801 Research Blvd, Suite 400, Rockville, MD 20850

Fax: 301.770.1949 Phone: 301.984.5074 E-mail: mmilburn@accc-cancer.org

FOR ACCC USE ONLY

Accepted by ACCC: Date Received: Space Assigned:

ACCC 44th Annual Meeting & Cancer Center Business Summit

Exhibitor Description and Write up

Conference Dates: March 14-16, 2018

Submit with Exhibitor Agreement. Return no later than February 9, 2018

(Agreements received after this date will not appear in the meeting book.)

Name of Company

Address

City

State

Zip Code

Telephone No.

Fax no.

Website

50 word write up (include information on your company that is promotional in nature and will give a prospective visitor an idea of what your company will be showing at this event). Please print (or e-mail separately or attached typed copy).

Return form, along with Exhibitor Space Agreement to:

Mal Milburn, Sales Manager • ACCC • 1801 Research Blvd, Suite 400 • Rockville, MD 20850
E-mail: mmilburn@accc-cancer.org • Fax: 301.770.1949

ASSOCIATION OF COMMUNITY CANCER CENTERS

43rd ANNUAL MEETING

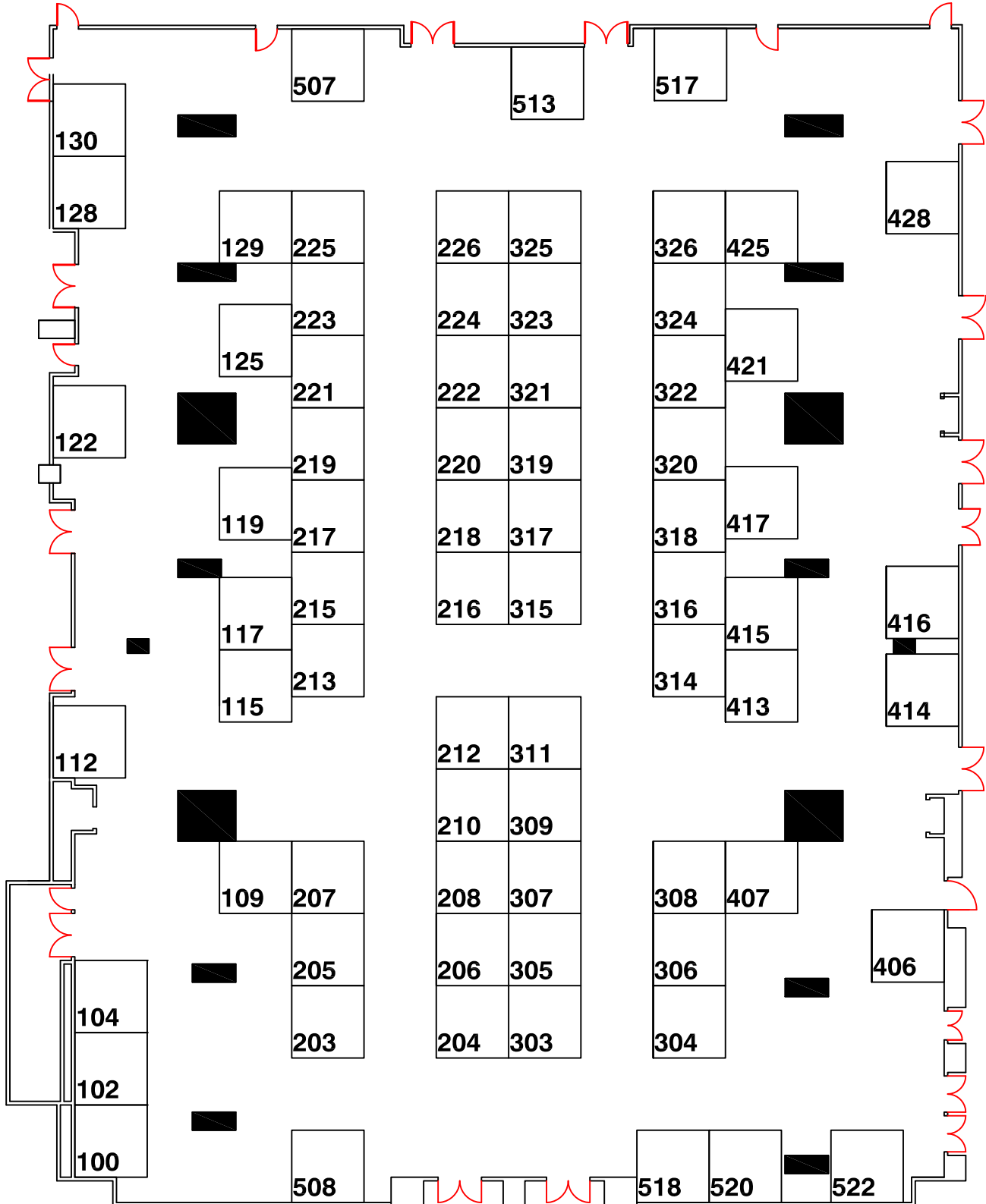
RENAISSANCE WASHINGTON, DC DOWNTOWN HOTEL - GRAND BALLROOM

WASHINGTON, DC

MEETING DATES: MARCH 29-31, 2017

OPENING RECEPTION: WEDNESDAY, MARCH 29, 6:00 PM-7:00 PM

EXHIBIT DATE: THURSDAY, MARCH 30, 7:00 AM-3:30 PM



ENTRANCE